

GlasStile R

GlasStile R

Motorised Low Height, Security Entrance Gate for Internal Installation

Drive:	Motorised
Orientation:	Pass Left or Pass Right
Materials:	<ul style="list-style-type: none">• Type A - Material #4 Grained Stainless Steel. 2.48" dia uprights and 1.50" dia handrail.• Type B - Material #4 Polished Stainless Steel. 1.97" dia uprights and handrail.• Type C - Material #4 Grained Stainless Steel. 2.48" dia. uprights with handrail material choice and 0.39" curved toughened glass.
Rotor Column:	8.67" dia #4 Grained Stainless Steel (EN 10088-2 Grade 1J/2J).
Rotor Wing:	3N ⁰ 0.39" thick clear toughened frameless glass panels
Diameter:	53.19" (1350mm) or 59.10" (1500mm)
Function:	Passage in both directions, electronically controllable.
Method of Operation:	On receiving a signal from the access control system or pushbutton, the unit will unlock and be in a state of readiness for use. On the paddle receiving pressure from the user i.e. push to start, the motor will take over and drive 120 ⁰ to its next home position. Should the wing meet any resistance it will stop and nudge forward. If obstruction continues the unit will alarm and free wheel. An Auto-Reset will re-establish control. Should an attempt be made to tailgate the unit will lock. The Auto Reset will re-establish control..
Power Failure:	In the event of an emergency or isolation of power supply, unit will fail-safe i.e. rotor would freely turn in both directions. <ul style="list-style-type: none">• Fire Alarm – Input facility available for voltage free contact supplied by others to effect fail safe state.
Interface:	Potential-free contact provided by either a cardreader or pushbutton input. Cardreader inhibit and reset output signals available as standard. The unit has an adjustable time out facility, i.e. Go signal will be cancelled if passage through GlasStile is not completed within pre-set time. The standard default is 15 seconds adjustable via the hand held programmer.
Power Supply:	110VAC 50/60 Hz
Power Rating:	80 VA per Walkway
Logic Voltage:	24 Volt DC
Installation Details:	GlasStile R range is delivered kit form i.e. Wings, Casework and Rotor, which may require lifting gear for off loading.



Product Description

The award winning GlasStile R range is designed to offer many material options including wood, marble, slate, stainless steel handrails and glass casework.

The personalisation ensures total integration into any environment, whilst operating quietly and rapidly.

Users include

- Government
- Retail
- Finance
- Telecommunications
- Information Technology
- Banking
- Publishing
- Leisure
- Petrochemical
- Education

Models Available

GlasStile Motorised Entrance Gate

- Model R1350A 53.19" dia - constructed from 2.48" dia uprights and 1.50" dia curved handrail affixed via concealed fixings.
- Model R1500A 59.10" dia - constructed from 2.48" dia. uprights with 1.50" dia curved handrail affixed via concealed fixings.
- Model R1350B 53.19" dia - constructed from 1.97" dia formed and welded tube.
- Model R1500B 59.10" dia - constructed from 1.97" dia formed and welded tube.
- Model R1350C 53.19" dia – constructed from 2.48" dia tube, 0.39" curved glass and handrail option (see below)
- Model R1500C 59.10" dia - constructed from 2.48" dia tube, 0.39" curved glass and handrail option (see below)

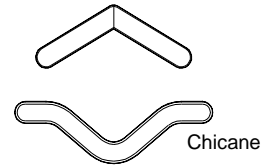
Standard Materials

Rotor cladding and casework material choice

- #4 Polished Stainless Steel, Ref: GM Type 3
- #4 Grained Stainless Steel, Ref: GM Type 2
- #4 Polished Brass
- #4 Grained Brass

Handrail Material and Aesthetic Options (Please consult Gunnebo Entrance Control Inc for details)

- Stainless Steel
- Choice of natural material, i.e. Wood, Marble, Granite etc
- Chicane, Chevron or custom profile.



Standard Accessories and Optional Extras

Alternative Materials, Finishes and Custom Design

- Refer to Gunnebo Entrance Control Inc for specific material design requirements.

Cardreader Mounting (Please refer to Gunnebo Entrance Control Inc for feasibility)

- Integration of customer supplied readers into the handrail.
- Integration of customer supplied readers onto the casework uprights.
- Cardreader Pedestals.

Battery Back Up System.

- Maintains all 24V control facilities for 500 operations or 4 hours whichever the sooner. Remotely located.

Push Button Control

- Simple console to control GlasStile R rotor release.
- Remote console to specific requirements
- Singular tubular casework mounted push button

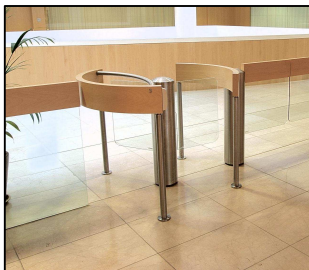
Hand held programmer

- Required to set up new installations.

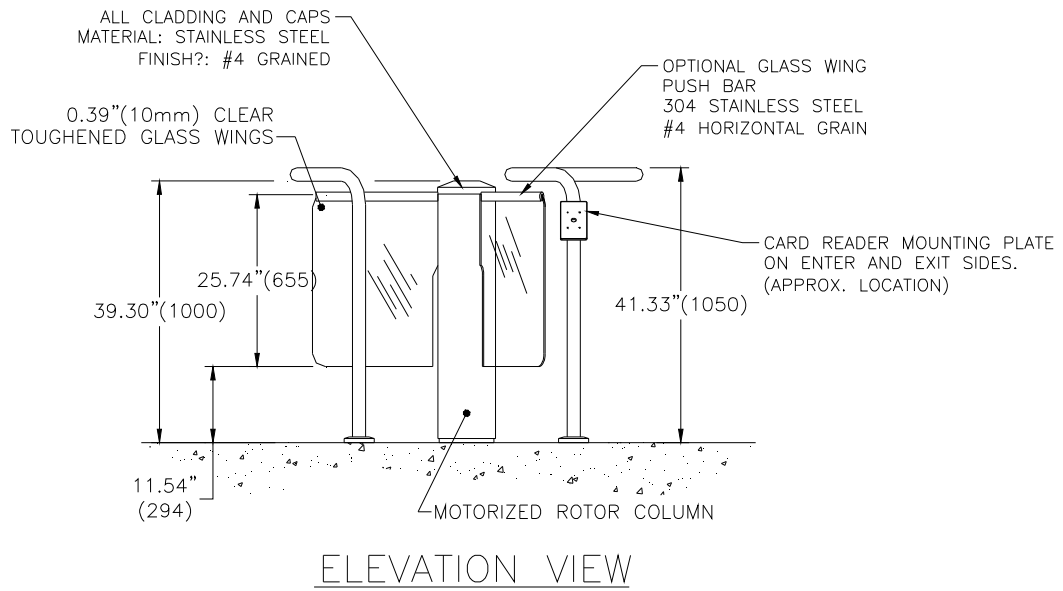
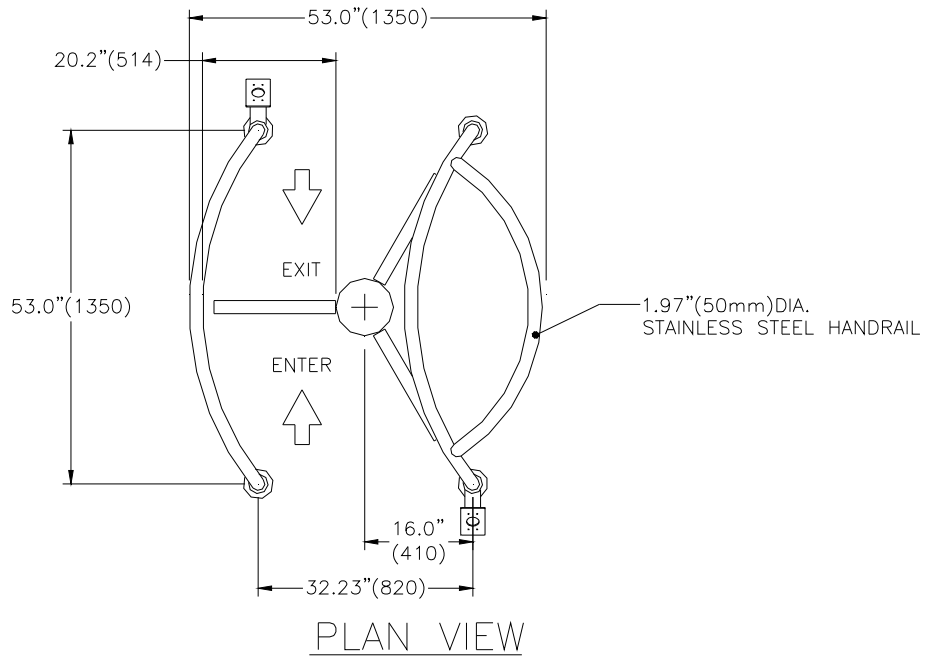
Push bar

- Affixed to the top of each glass wing to match casework choice.

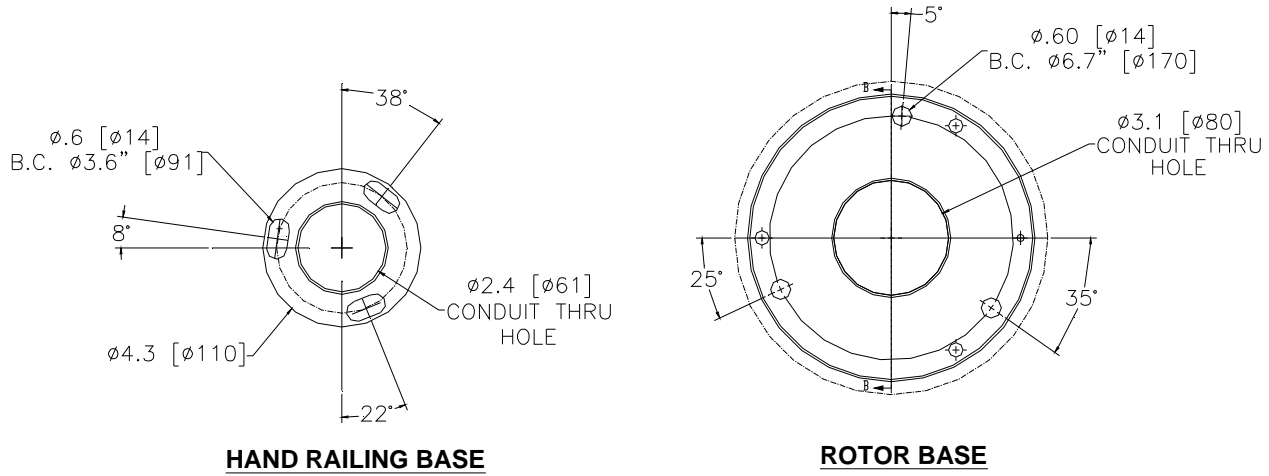
Installation Examples



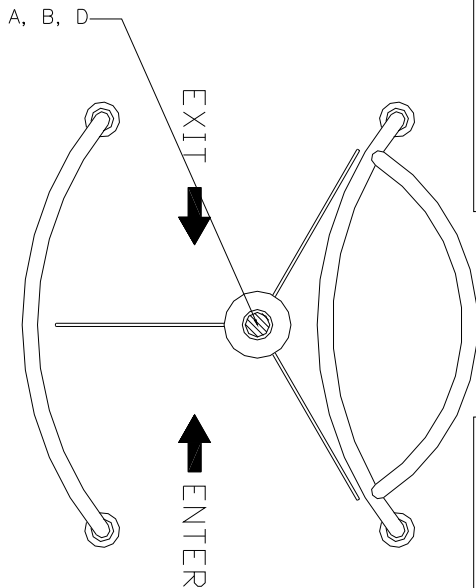
GLASSTILE-R
TYPE-B
CARD IN / CARD OUT
(OTHER OPTIONS AVAILABLE)



MOUNTING DETAIL



CONTAINMENT GLASSTILE-R TYPE B



LEGEND

- A = MAINS POWER 110VAC 60HZ 6A
- B = EMERGENCY SIGNAL, N/C, VOLT FREE CONTACT (2 CORE).
- C = CARD READER SIGNAL (spec by others).
- D = CARD READER RETURNS N/O CONTACTS, VOLT FREE TO CLOSE 0.5 - 1.0 SECOND, 2 CORE FOR EACH DIRECTION OF OPERATION - MAX 30m (6 core)
- E = 4 CORE 16/0.2 (CSA 0.5mm) KEY SWITCH CONTROL.

NOTES

- 1.) ALL CABLES AND CONDUITS ARE TO BE RUN BY OTHERS TO THE POSITIONS SHOWN, AND RISE IN THE POSITIONS INDICATED ON THIS DRAWING.
- 2.) ALL CABLING AND CONTAINMENT MUST BE AT A DEPTH OF AT LEAST 150MM [5.9"] BELOW FINISHED FLOOR LEVEL AND AVOID ALL EQUIPMENT FIXING POSITIONS.
- 3.) POWER AND DATA SHOULD BE IN SEPARATE CONDUITS.
- 4.) CABLE TAILS SHOULD BE LEFT 2M [78"] ABOVE FINISHED FLOOR LEVEL.

Flow Rates

Reader Device	Number per minute
Insertion type	20
Insertion type with PIN code keypad	10
Swipe type	30
Swipe type with PIN code keypad	12
Proximity 'Hands Free'	35

- Please note the figures are approximate and must be confirmed with Gunnebo Entrance Control Inc. Figures quoted are for one person per complete passage per walkway and per minute. It is assumed the access control authorisation response is instantaneous. Flow rates will increase with multiple passage use.

For further information please contact:



Gunnebo Entrance Control Inc. 535 Getty Court, Suite F, Benicia, CA 94510
Phone 707-748-0885 Fax 707-745-6020
E-mail info.us@gunnebo.com
Web www.gunnebo.us



A COMPANY WITHIN THE GUNNEBO GROUP

HEAD OFFICE SWEDEN
Gunnebo AB, Box 5181, SE-402 26 Goteborg, SWEDEN. Tel +46-31 83 68 00, Fax +46-31 83 68 10

www.gunnebo.com

Note: In pursuit of its policy of continuous refinement and improvement, Gunnebo Entrance Control Ltd reserves the right to modify design and details.